

SPECIFICATIONS:

SURFACE MOUNT - LOW WEIGHT

- FREQUENCY: 0.5 GHz TO 18 GHz
- INSERTION LOSS: REFLECTIVE: 3.0db
..... ABSORPTIVE: 3.5db
- ISOLATION: 0.5 GHz TO 2 GHz: 60db
..... 2 GHz TO 18 GHz: 70db
- VSWR: REFLECTIVE IN/OUT: 2.0:1
..... ABSORPTIVE IN/OUT: 2.0:1
..... ABSORPTIVE OUT/OFF: 2.0:1
- SPEED: RISE: 10ns TYPICAL, 15ns MAX.
..... FALL: 10ns TYPICAL, 15ns MAX.
..... DELAY ON: 75ns TYPICAL, 100ns MAX.
..... DELAY OFF: 75ns TYPICAL, 100ns MAX.
- POWER INPUT: (CW)+20dBm (STANDARD), +10 dBm (HIGH SPEED)
- SURVIVAL POWER: 1 WATT CW, 10 WATTS PEAK 1 usec
- CONTROL: TTL LOGIC "0"-ON "1"-OFF
- WEIGHT: 0.9 OUNCE
- POWER SUPPLY: +5V @ 400 mA MAX.
..... -5V @ 75mA MAX.(RELECTIVE)
..... 100mA MAX.(ABSORPTIVE/NON-REFLECTIVE)

OPTIONS:

INDEPENDENT CONTROL WITH SOLDER PIN STANDARD

- DEC-SP 3 BIT DECODER WITH SOLDER PIN
- 10M18 10 MHz TO 18 GHz (INSERTION LOSS INCREASES BY 1.5db AT 10 MHz AND 0.5db AT 18 GHz)
- 100M18 100 MHz TO 18 GHz (INSERTION LOSS INCREASES BY 1.5db AT 100 MHz AND 0.5db AT 18 GHz)
- 118 1 GHz TO 18 GHz (NO CHANGE IN INSERTION LOSS)
- 218 2 GHz TO 18 GHz (NO CHANGE IN INSERTION LOSS)
- 412 4 GHz TO 12.4 GHz (NO CHANGE IN INSERTION LOSS)
- 618 6 GHz TO 18 GHz (NO CHANGE IN INSERTION LOSS)
- 1218 12 GHz TO 18 GHz (NO CHANGE IN INSERTION LOSS)
- 100M20 100 MHz TO 20 GHz (INSERTION LOSS INCREASES BY 1.5db AT 100 MHz AND 1.0db AT 20 GHz)
- 220 2 GHz TO 20 GHz (INSERTION LOSS INCREASES BY 1.0db AT 20 GHz)
- 1020 10 GHz TO 20 GHz (INSERTION LOSS INCREASES BY 1.0db AT 20 GHz)
- B01 -12V POWER SUPPLIES
- B02 -15V POWER SUPPLIES
- B03 REVERSE LOGIC "1"=ON "0"=OFF
- B04 DRIVERLESS, CURRENT CONTROLLED
- B05 HIGH SPEED, TURNON/TURNOFF 25 nsec MAXIMUM WHEN APPLICABLE
- B06 HIGH POWER - SPECIFY CW POWER, PEAK POWER, PULSE WIDTH, DUTY CYCLE, RF FREQUENCY AND BANDWIDTH
- B07 CUSTOM DESIGNED PRODUCT- SPECIFY INITIALS OF CUSTOMER
- B08 LOW VIDEO TRANSIENTS - SPECIFY VIDEO BANDWIDTH
- B09 LOW INSERTION LOSS VERSION
- B10 HIGHER ISOLATION VERSION

ENVIRONMENTAL RATINGS:

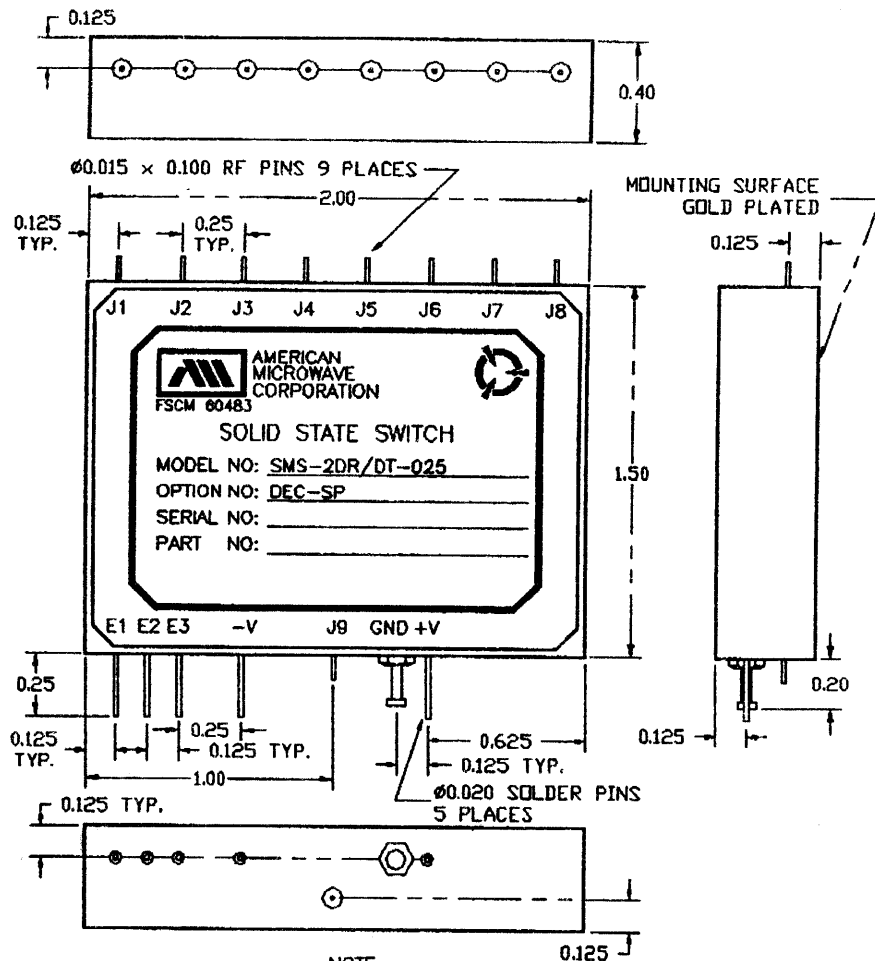
- TEMPERATURE: -55°C TO +85°C (OPERATING)
..... -65°C TO +125°C (STORAGE)
- HUMIDITY: MIL-STD-202F, METHOD 103B COND. B
- SHOCK: MIL-STD-202F, METHOD 213B COND. B
- VIBRATION: MIL-STD-202F, METHOD 204D COND. B
- ALTITUDE: MIL-STD-202F, METHOD 105C COND. B
- TEMPERATURE CYCLE: MIL-STD-202F, METHOD 107D COND. A

NOTE: THE ABOVE SPECIFICATIONS ARE SUBJECT TO CHANGE OR REVISION

ALL DIMENSIONS ARE IN INCHES
TOLERANCES:

- X.XX ±0.020
- X.XXX ±0.010

| REVISIONS | | | | |
|-----------|------|------------------|---------|----------|
| ZONE | REV. | DESCRIPTION | DATE | APPROVED |
| | A | ORIGINAL RELEASE | 7/28/97 | |



NOTE:
DR=WITH DRIVER, REFLECTIVE
DT=WITH DRIVER, NON-REFLECTIVE/ABSORPTIVE

| | | | |
|-----------|----------|---|--------------|
| PART NO. | | AMERICAN MICROWAVE CORPORATION FREDERICK, MARYLAND | |
| APPROVALS | | TITLE | |
| DATE | | OUTLINE DRAWING | |
| DRAWN | | SMS-8DR/DT-025-DEC-SP | |
| CHECKED | | REFLECTIVE OR NON-REFLECTIVE/ABSORPTIVE | |
| ISSUED | | SURFACE MOUNT, SOLID STATE SWITCH | |
| SIZE | FSCM NO. | DWG NO. | REV. |
| A | 60483 | 100-4198-2 | A |
| SCALE | | | SHEET 1 of 1 |